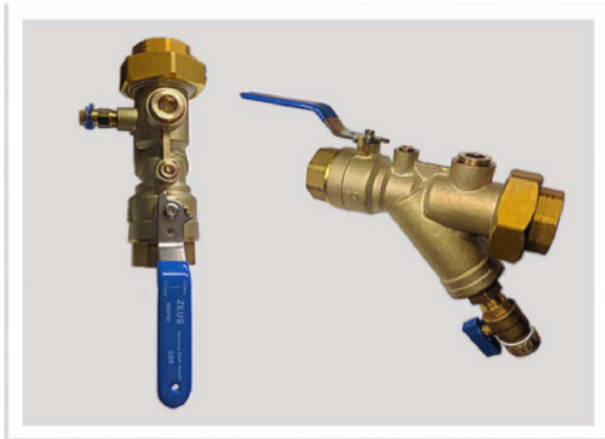


COMBINATION STRAINER BALL VALVE Tasman Code : CSBV<SIZE>

Ball valve combination with Strainer and Drain Cock
Stainless Handle and DZR Body.

15, 20, 25, 32, 40, 50mm



Features

Working Medium : Water

Pipe thread to ISO7 BSPT

A combination Ball valve, Strainer and Union

Fixed end connection in BSPT

Tail piece connection in BSPT, Size reduction Available.

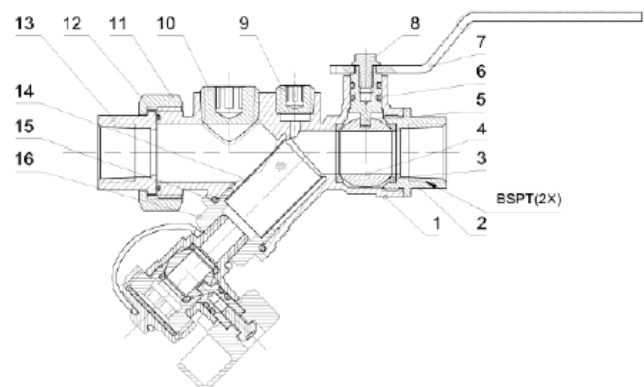
Standard features include pressure / Temperature port, plug and Drain Valve

Technical Data

Nominal Pressure : 600WOG/PN40

Working Temperature : -20°C ~ +110°C

No.	Part Name	Materials
1	Body	DZR CZ132A
2	Fixed End	DZR CZ132A
3	Seat	PTFE
4	Ball	DZR CZ132A
5	Stem	DZR CZ132A
6	O-ring	EPDM
7	Handle	S.S.304
8	Hex Nut	S.S.304
9	Plug	C37700(CW617N)
10	Plug	C37700(CW617N)
11	O-ring	EPDM
12	Tail Piece	DZR CZ132A
13	Strainer Basket	S.S.304, 20MESH
14	O-ring	EPDM
15	DV Adaptor	DZR CZ132A
16	PT Valve	DZR CZ132A
17	Drain Valve	C37700(CW617N)



Dimensions (in mm)

DN	15	20	25	32	40	50
SIZE	½"	¾"	1"	1 ¼"	1 ½"	2"
PART NO.	YC10015	YC10020	YC10025	YC10032	YC10040	YC10050
L(FNPT)	126.7	147.29	160.38	193.7	201.85	266.52
H	50.29	52.83	52.83	61.98	61.98	72.7
D	92.96	92.96	92.96	127.76	127.76	143.76