



Process Solutions International™

No matter the processing problem, PSI has the solution.

MAX2000® 6" Mud Hopper



The MAX2000® 6" Mud Hopper by PSI is a rugged low-pressure, high-volume unit that makes it easy to accurately mix solids additives into drilling fluid. Fed by a 40 to 60 PSI mud system centrifugal pump at a volume of 1100 to 1400 gallons per minute.

Key Benefits -

- Rapidly mixes solid additives into drilling fluids
- Low Pressure, high volume
- High shear economical solution
- 6" Butterfly valve regulates additives
- Feeds solids up to 400 – 600 lbs/min



Features -

- Polyurethane or Steel jet nozzles available
- Low profile sack table and receiving basin
- Painted or galvanized
- Spare parts match industry standard
- Venture included

The 6" butterfly valve features a locking handle for steady, adjustable feed rates of 400-600 lbs per minute.



For more information on our products, Please contact us at 7519 Prairie Oak Drive Houston, TX 77086
Local 281-893-4774 | (866) 866-4PSI (4774) | Fax 281-893-1027 www.PSIMAX2000.com

ISO 9001:2008

MAX2000® 6" Mud Hopper



Problem Solving-

The MAX2000® Mud Hopper and base plate are constructed of high quality plate steel. All surfaces are painted with industrial-grade epoxy to resist wear and corrosion. A second coat of UV-resistant polyurethane is then added in the color of your choice. The unit is delivered fully assembled with sack table, receiving basin, jet nozzle, venturi and adjusting valve for a quick and easy installation.

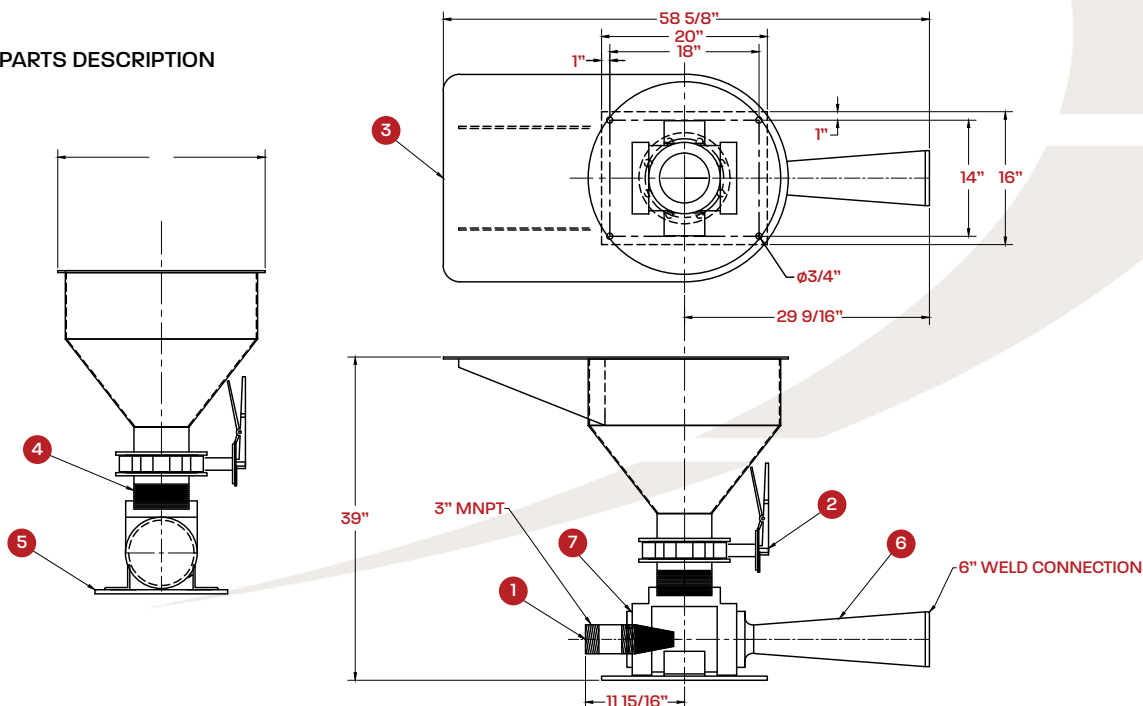


A built-in sack table makes it safe and easy to pour additives into the hopper's receiving basin.

DETAILS FRONT / SIDE / TOP / PARTS DESCRIPTION

MAX2000® Fuel Filtration System

DWG	DESCRIPTION
1	Nozzle, Jet
2	Butterfly Valve, 6"
3	Sack Table
4	Bottom Nipple
5	Base
6	Venturi, 6" Mud Hopper
7	Vereducer, 6 x 3



In short, for easy installation and maintenance, long-wearing durability and dependable performance makes the MAX2000® 6" Mud Hopper by PSI the ideal solution for tough mud-handling projects.