

Addendum

No. THREE Date: 3.11.19

Project:

Cafeteria-Kitchen Expansion for
West End Elementary School for the
Etowah County Board of Education
Gadsden, Alabama

MCKEE PROJECT NO. 16-231

A3.1 GENERAL MODIFICATIONS:

The following changes and/or substitutions to the plans and specifications are hereby made a part of same and are incorporated in full force as part of the contract.

Bidders shall acknowledge receipt of this Addendum in writing on his Proposal Form.

A3.2 SPECIFICATION MODIFICATIONS: NONE

A3.3 DRAWING MODIFICATIONS:

A. See the attached Revised Drawings as follows:

Sheet E5.1 (dated 3.11.19)

END OF ADDENDUM THREE

LIGHTING FIXTURE SCHEDULE						
TYPE	MANUFACTURER NUMBER AND EQUALS	VOLTAGE	MOUNTING	LAMP TYPE	LAMP QUANTITY WITH UNIT	DESCRIPTION
EV	LITHONIA NO. EPANL 2X4 6800LM 8CRI 35K ZT MIVOLT OR PRIOR APPROVED EQUALS BY EMERGLITE, OR GARDCO	MIVOLT	WALL	LED	1000 LUMEN	LED LOW PROFILE EMERGENCY UNIT. DARK BRONZE COLOR. UL LISTED FOR WET LOCATION. PROVIDE ALL MATERIALS FOR COMPLETE INSTALLATION.
LG2	HUBBELL NO. LCAT-24-35K-M-E-MVOLT OR EQUALS BY FOCAL POINT, LUMAX, OR COOPER	MIVOLT	RECESSED	LED	3690 LUMEN	2'X2' 3690 LUMEN VOLUMETRIC FIXTURE
LG48	HUBBELL NO. LCAT-24-35K-M-E-MVOLT OR EQUALS BY FOCAL POINT, LUMAX, OR COOPER	MIVOLT	RECESSED	LED	5000 LUMEN	2'X4' 5000 LUMEN VOLUMETRIC FIXTURE
LG50	HUBBELL NO. LCAT-24-35K-M-E-MVOLT OR PRIOR APPROVED EQUALS BY LITHONIA, FOCAL POINT, LSI, OR COOPER	MIVOLT	RECESSED	LED	6000 LUMEN	2'X4' 6000 LUMEN VOLUMETRIC FIXTURE. 0-10V DIMMING CAPABLE
LG60	LITHONIA NO. EPANL 2'X4 6800LM 8CRI 35K ZT MIVOLT OR EQUALS BY HUBBELL, COOPER, & WILLIAMS	MIVOLT	RECESSED	LED	6000 LUMEN	2'X4' 6000 LUMEN FLAT PANEL FIXTURE. 0-10V DIMMING CAPABLE
LK72	LITHONIA NO. EPANL 2'X4 6800LM 8CRI 35K ZT MIVOLT OR EQUALS BY HUBBELL, COOPER, & WILLIAMS	MIVOLT	RECESSED	LED	7200 LUMEN	2'X4' 7200 LUMEN FLAT PANEL FIXTURE. 0-10V DIMMING CAPABLE
LS2	HUBBELL NO. LCL-4-35K-M-E-MVOLT-CSHC OR PRIOR APPROVED EQUALS BY LITHONIA, FOCAL POINT, LSI, OR COOPER	MIVOLT	SURFACE OR CHAIN HUNG	LED	5300 LUMEN	SURFACE MOUNTED 4'-0" LED STRIP. CHAIN HANG WHEN SURFACE MOUNT IS NOT POSSIBLE
WP1	LITHONIA NO. WSR-LED-2-10A70040K-SR3-MVOLT-120V-ELCW OR PRIOR APPROVED EQUALS BY KIM, OR COOPER	MIVOLT	WALL	LED	4000 LUMEN	DARK BRONZE EXTERIOR LED LIGHT. TWO LIGHT ENGINES. LIGHT ENGINES SHALL BE SWITCHED AND CONTROLLED SEPARATE FROM LIGHTING CONTROL PANEL. UL LISTED FOR WET LOCATIONS.
EM WALL PACK	LITHONIA NO. ELMAT - MIVOLT - EHO - SD - WIREGUARDS IN GYM OR PRIOR APPROVED EQUAL BY EMERGLITE, MCPHILBEN, OR PRESCOLITE	MIVOLT	WALL	LED	WITH UNIT	1000 LUMEN LED EMERGENCY WALL PACK
EXIT SIGN COMBO "XB"	LITHONIA NO. LIGHM-S-W-3-R-HO-LP06V5 - WIREGUARDS IN GYM OR PRIOR APPROVED EQUAL BY EMERGLITE, MCPHILBEN, OR PRESCOLITE	MIVOLT	UNIVERSAL	LED	1000 LUMEN	THERMOPLASTIC 1000 LUMEN COMBO LED EXIT SIGN EGRESS LIGHT. PROVIDE WITH NUMBER OF FACES AND DIRECTIONAL ARROWS AS SHOWN ON DRAWINGS. COORDINATE COLOR OF SIGNAGE WITH LOCAL REQUIREMENTS. PROVIDE WITH EMERGENCY BATTERY. PROVIDE WIREGUARDS IN GYM.

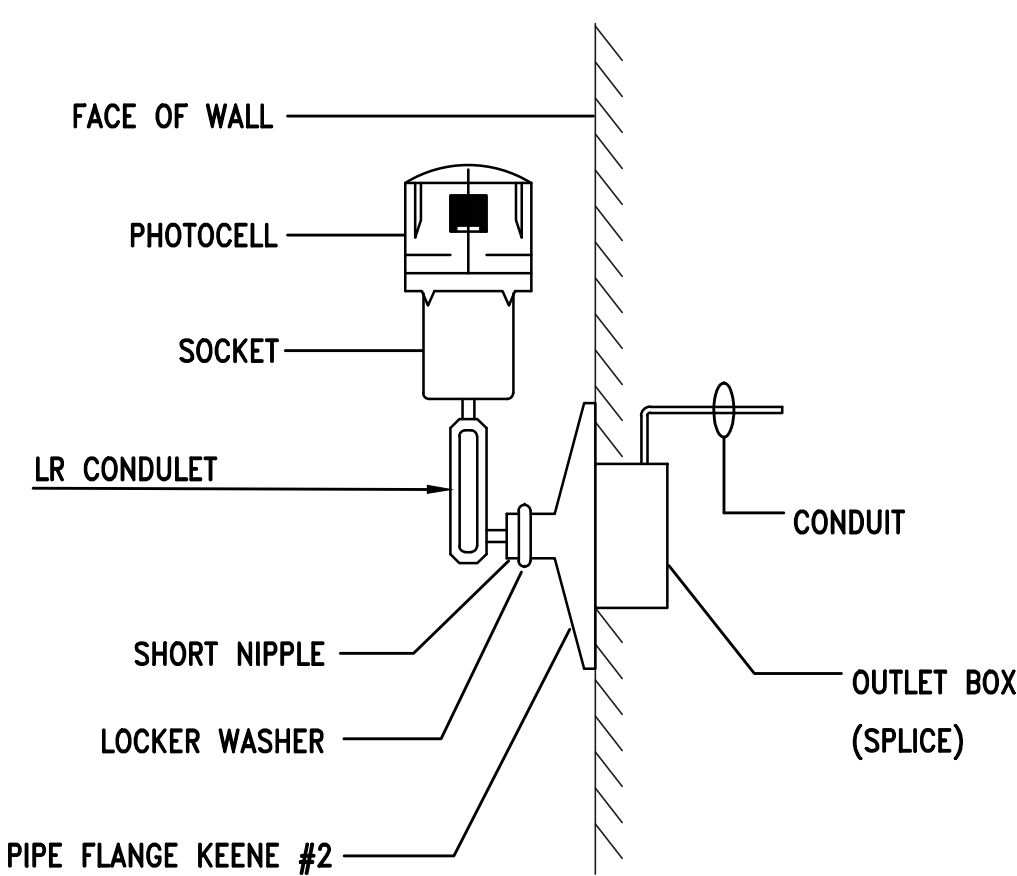
NOTES:
 1. ARCHITECT RESERVES THE RIGHT TO SELECT ALL COLORS OR MAKE CUSTOM COLOR DURING SHOP DRAWING REVIEW. BID ACCORDINGLY.
 2. COORDINATE MOUNTING OF ALL LUMINAIRES WITH ARCHITECTURAL ELEVATIONS PRIOR TO INSTALLATION.
 3. PROVIDE EMERGENCY BATTERY BALLAST FOR ALL EMERGENCY TYPE FIXTURES CAPABLE OF 90 MINUTES. ALL EMERGENCY LIGHTS IN SAFE AREA SHALL BE CONNECTED TO THE BATTERY INVERTER FOR 180-MINUTES OF RUN TIME.
 4. FOR WARRANTY AND LONG TERM SUPPORT FOR OWNER, ALL LIGHTING FIXTURES SHALL BE PURCHASED THROUGH MANUFACTURER REPRESENTATIVES LOCATED IN THE STATE OF ALABAMA. SUBMITTALS RECEIVED THAT DO NOT COMPLY WITH THIS REQUIREMENT WILL BE REJECTED WITHOUT REVIEW. THE ELECTRICAL CONTRACTOR SHALL BE RESPONSIBLE FOR ANY DELAYS CAUSED BY NON COMPLIANCE WITH THIS REQUIREMENT.
 5. ALL INTERIOR LIGHTS SHALL HAVE 3500K TEMPERATURE LAMPS, UNLESS NOTED OTHERWISE.
 6. ALL EXTERIOR LIGHTS SHALL HAVE 4000K TEMPERATURE LAMPS.
 7. LIGHTS SPECIFIED WILL BE USED AT BOTH 120V AND 277V CIRCUITS. PROVIDE UNIVERSAL TYPE VOLTAGE DRIVERS FOR ALL LIGHT FIXTURES. IF A SPECIFIC VOLTAGE IS REQUIRED, LIGHTING MANUFACTURER AND CONTRACTOR SHALL WORK TOGETHER TO PROVIDE THE REQUIRED VOLTAGES FOR EACH OF THE DIFFERENT FACILITIES.
 ENGINEER WILL NOT BE RESPONSIBLE FOR THIS COORDINATION DURING SUBMITTALS. WE WILL ASSUME THE VOLTAGE SUBMITTED IS CORRECT.

LUMINAIRE NOTES:

- ALL LUMINAIRES AND INSTALLATION SHALL BE IN ACCORDANCE WITH NEC, NFPA AND LOCAL CODES. ALL LUMINAIRES SHALL BE UL LISTED AND INSTALLED IN ACCORDANCE WITH THE UL LISTING.
- LUMINAIRES SHALL BE FURNISHED COMPLETE WITH THE PROPER LAMP BASE OR PIN RECEPTORS, WIRING COMPONENTS, LAMPS, SUPPORTING FRAMES AND DEVICES, ETC., FOR A COMPLETE INSTALLATION.
- ALL LUMINAIRE DEVICES, COMPONENTS, FITTINGS, SUPPORTS, ETC., SHALL BE COORDINATED TO PROVIDE A COMPLETE UL LISTED INSTALLATION.
- ALL LUMINAIRES BALLAST, DRIVERS, LAMPS, ETC SHALL BE COMPATIBLE WITH THE LIGHTING CONTROL SYSTEM OR DIMMING CONTROL SYSTEM PROVIDED.
- SECURE EACH LAY-IN LUMINAIRE AT TWO LOCATIONS TO THE CEILING GRID. PROVIDE BOLTS, SCREWS, RIVETS OR APPROVED CLIPS FOR USE WITH THE TYPE CEILING AND LUMINAIRE INSTALLED.
- ALL LUMINAIRES IN MECHANICAL AND ELECTRICAL ROOMS SHALL BE INSTALLED TO CLEAR ELECTRICAL EQUIPMENT, DUCT, PIPING, ETC., SUSPEND BELOW OBSTRUCTION WHEN CONFLICTS OCCUR.
- ALL LED LUMINAIRES SHALL BE PROVIDED WITH 3500K COLOR TEMPERATURE LAMPS, UNLESS NOTED OTHERWISE.
- ARCHITECT RESERVES THE RIGHT TO SELECT ALL COLORS FOR LUMINAIRES, POLES, MOUNTING ACCESSORIES, ETC. DURING SHOP DRAWING REVIEW.
- COORDINATE LUMINAIRE MOUNTING WITH ARCHITECTURAL ELEVATIONS PRIOR TO INSTALLATION.
- PROVIDE ALL EXIT SIGNS WITH DIRECTIONAL ARROWS AS SHOWN ON DRAWINGS.
- ALL EXIT SIGNS AND LUMINAIRES DESIGNATED AS EMERGENCY SHALL BE PROVIDED WITH A MINIMUM 1100 LUMEN EMERGENCY BATTERY BALLAST CAPABLE OF 90 MINUTES OF ILLUMINATION.

NOTES:

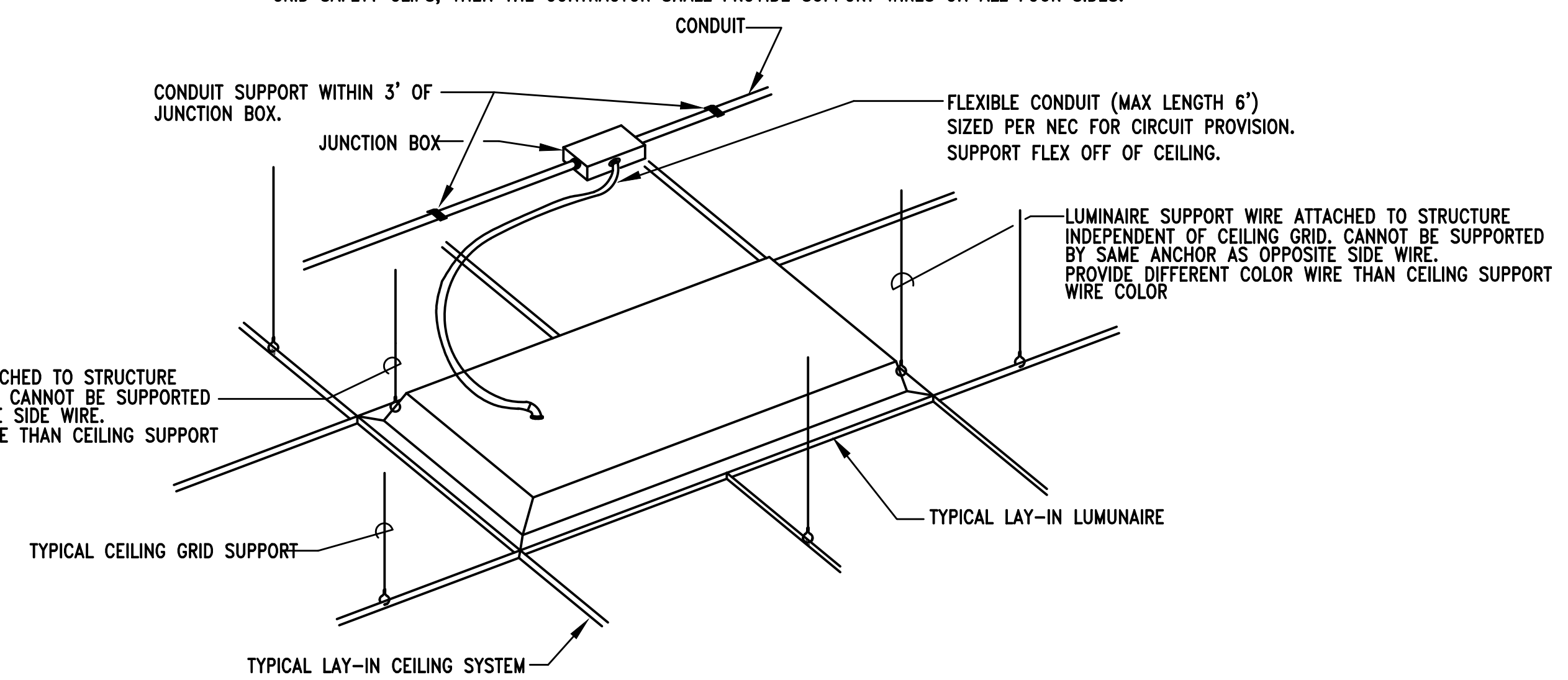
- PAINT CONDUIT NIPPLE, SOCKET AND PIPE FLANGE WITH TWO COATS OF ENAMEL.
- COMPLETE ASSEMBLY TO BE UL LISTED FOR WET LOCATIONS.
- PHOTOCELL TO BE MOUNTED FACING NORTH FREE FROM ALL SHADOWS WHICH MIGHT CAUSE PHOTOCELL TO TURN LIGHTS ON EARLY. CONTRACTOR SHALL COORDINATE PROPER MOUNTING LOCATION PRIOR TO INSTALLATION.



2
 ES.1
 NO SCALE
 DETAIL - INSTALLATION OF PHOTO-CELL

NOTES:

- ALL RECESSED LUMINAIRES SHALL BE WIRED FROM A JUNCTION BOX AS SHOWN, INCLUDING LUMINAIRES IN A CONTINUOUS ROW. NO WIRING THRU FIXTURES. NO MORE THAN TWO LUMINAIRES SHALL BE CIRCUITED TO ONE JUNCTION BOX.
- LUMINAIRE SUPPORT WIRES TO BE A MINIMUM OF #14 GAGE PRE-STRAINED GALVANIZED WIRE ATTACHED AT OPPOSITE CORNERS. LUMINAIRE SHALL BE SUPPORTED TO THE STRUCTURE INDEPENDENT OF THE CEILING GRID.
- CONDUCTORS IN FLEXIBLE CONDUIT FROM JUNCTION BOX TO LUMINAIRE SHALL CONTAIN AN INSULATED GREEN GROUND WIRE, WITH NEUTRAL AND PHASE CONDUCTORS REQUIRED FOR THE CIRCUITING AND SWITCHING REQUIREMENTS INDICATED.
- JUNCTION BOXES SHALL BE ACCESSIBLE AND LOCATED WITHIN 1'-6" ABOVE LAY-IN CEILING INSTALLATION. PROVIDE PENDANT ALL-THREAD RODS AND/OR STRUT ASSEMBLIES TO MEET THIS REQUIREMENT WHERE DROP CEILING IS MORE THAN 1'-6" FROM STRUCTURE.
- CONTRACTOR SHALL INSTALL ALL T-BAR SAFETY CLIPS TO GRID. IF FIXTURE DOES NOT COME WITH GRID SAFETY CLIPS, THEN THE CONTRACTOR SHALL PROVIDE SUPPORT WIRES ON ALL FOUR SIDES.



1
 ES.1
 NO SCALE
 DETAIL - TYPICAL LAY-IN LUMINAIRE INSTALLATION

CAFETERIA - KITCHEN EXPANSION
 TO
 WEST END ELEMENTARY SCHOOL
 FOR THE
 ETOWAH COUNTY BOARD OF EDUCATION
 GADSDEN, ALABAMA

MCKEE and ASSOCIATES
 ARCHITECTURE and INTERIOR DESIGN
 631 SOUTH HULL STREET MONTGOMERY, ALABAMA 36104 (334) 634-9933



SHEET TITLE: LIGHTING SCHEDULE
 DETAILS & NOTES

MCKEE JOB #: 16.231

DRAWN BY: J. TILLERY

DATE: 02.07.19

REVISED DATE: 03-04-19

REVISED DATE: 03-11-19

REVISED DATE:

GA Gunn & Associates, P.C.
 Consulting Engineers
 3102 Highway 14
 Millbrook, AL 36054
 Tel: 334.285.1273

500 Southland Drive Suite 250
 Hoover, AL 35226
 GA#18-333

SHEET NO.: E5.1