

# Addendum

No. TWO Date: 8.24.18

Project: For Community Development Institute  
Head Start Serving Chilton, Autauga, Shelby, and Elmore  
Counties, AL

PROJECT NO. 18-116A

## A2.1 GENERAL

- A. The following changes and/or substitutions to the plans and specifications are hereby made a part of same and are incorporated in full force as part of the contract.
- B. Bidders shall acknowledge receipt of this Addendum in writing on his Proposal Form.

## A2.2 SPECIFICATIONS- NONE

## A2.3 DRAWINGS

- A. See the attached Revised Drawings as follows:  
Sheet C-1 (dated 08.24.18)

END OF ADDENDUM TWO



NOTE: HORIZONTAL AND VERTICAL CONTROL BASED ON ALDOT COR. STATION.

LEGEND

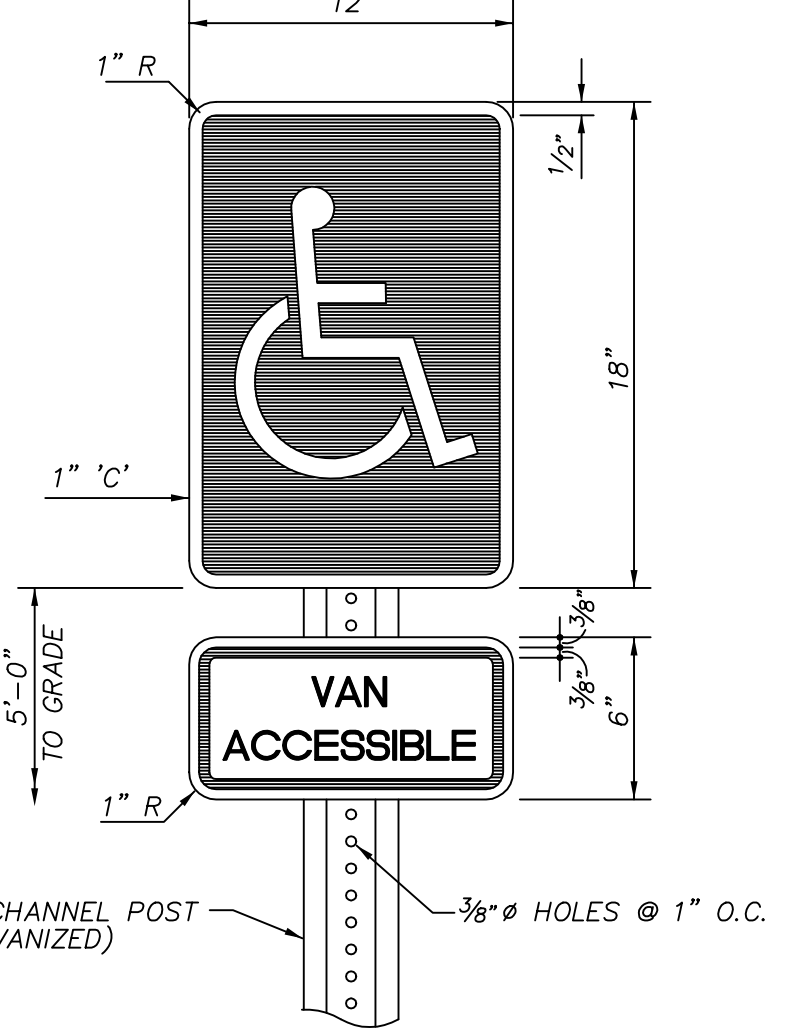
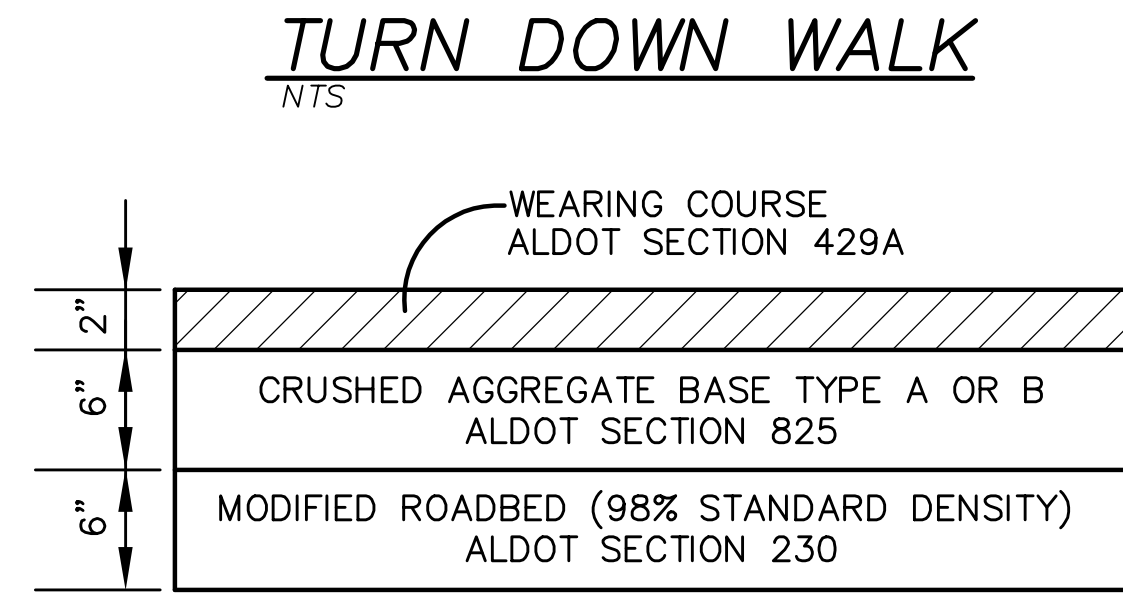
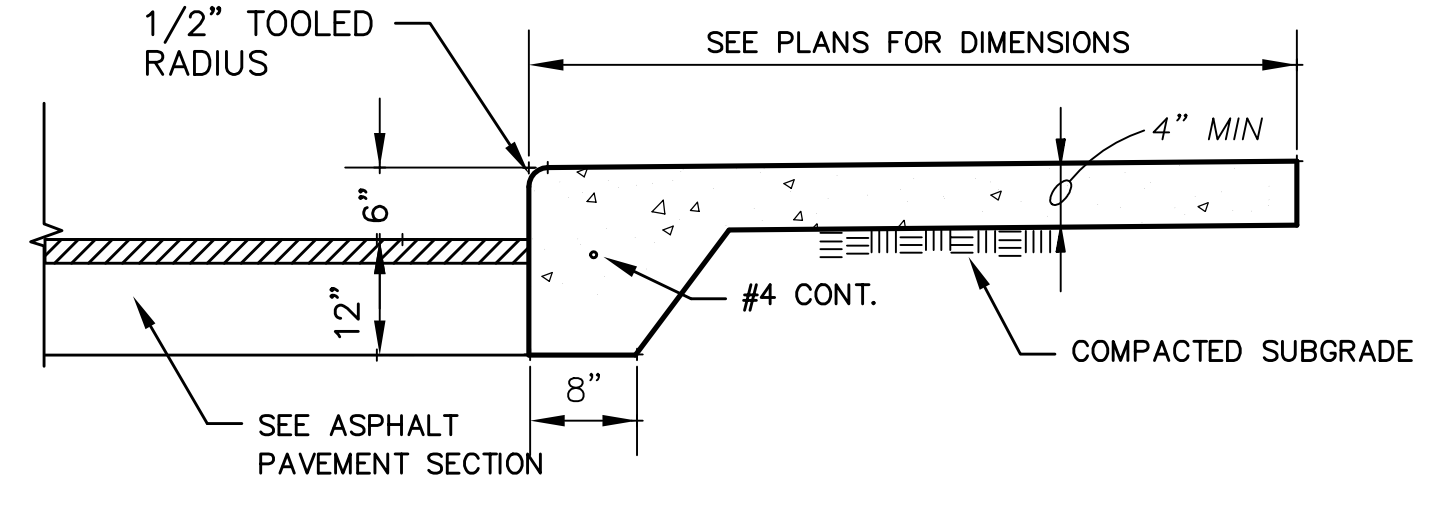
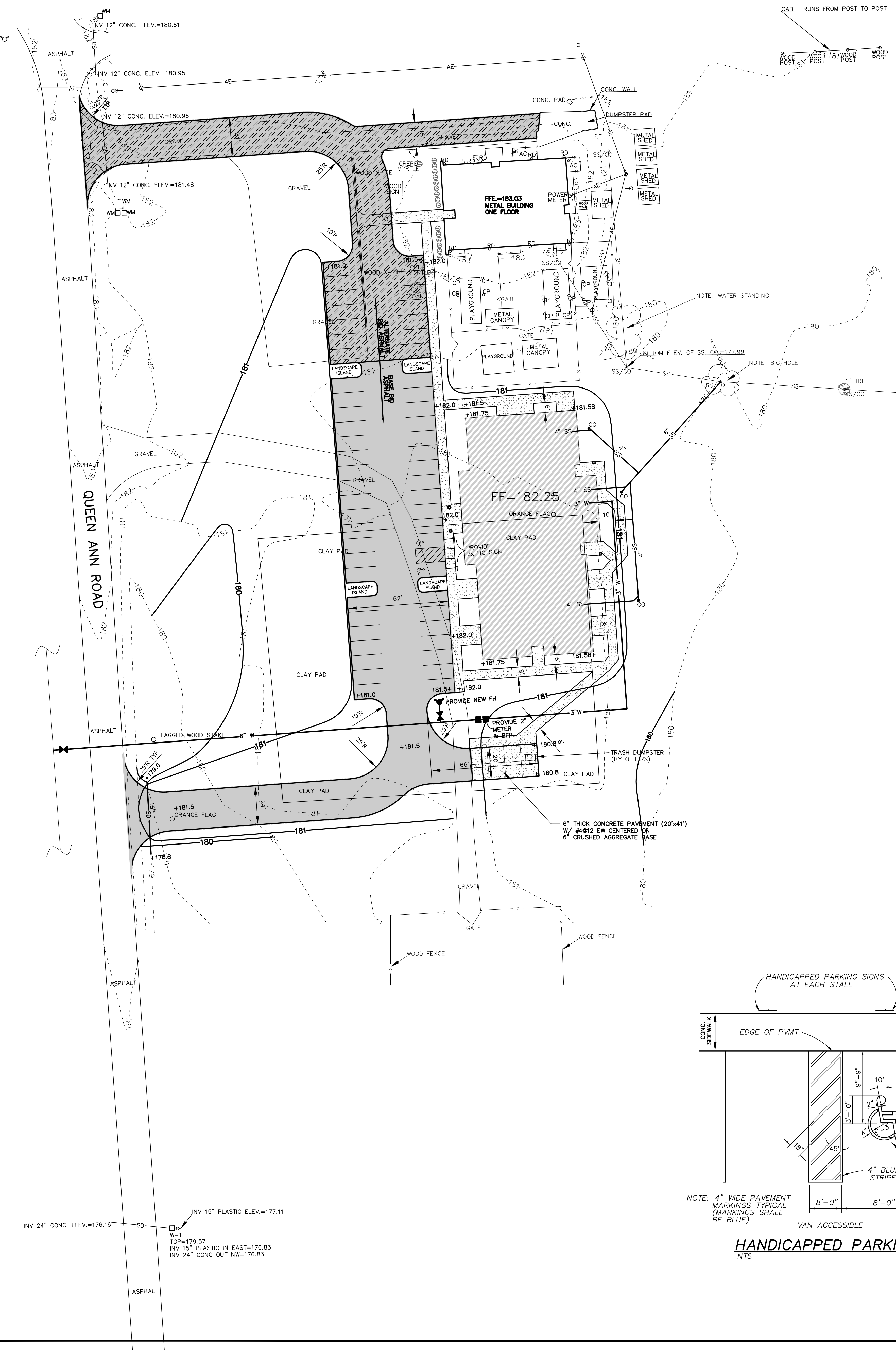
DESCRIPTION	EXISTING	NEW
BUILDING		
CURB		
CURB & GUTTER		
CONCRETE PAVEMENT		
ASPHALT PAVEMENT BASE BID		
ASPHALT PAVEMENT ALTERNATE BID		
SANITARY SEWER MANHOLE		
SANITARY SEWER LINE		
CLEAN-OUT		
CONTOUR		
WATER LINE		
GRATE INLET		
STORM DRAIN LINE		
FIRE HYDRANT		

NOTES:

1. THE UNDERGROUND UTILITIES SHOWN HAVE BEEN LOCATED FROM FIELD SURVEY INFORMATION AND EXISTING DRAWINGS. THE SURVEYOR MAKES NO GUARANTEE THAT THE UNDERGROUND UTILITIES SHOWN COMPRISE ALL SUCH UTILITIES IN THE AREA EITHER IN SERVICE OR ABANDONED. THE SURVEYOR FURTHER DOES NOT WARRANT THAT THE UNDERGROUND UTILITIES SHOWN ARE IN THE EXACT LOCATION INDICATED ALTHOUGH HE DOES CERTIFY THAT THEY ARE LOCATED AS ACCURATELY AS POSSIBLE FROM THE INFORMATION AVAILABLE. THE SURVEYOR HAS NOT PHYSICALLY LOCATED ALL OF THE UNDERGROUND UTILITIES.

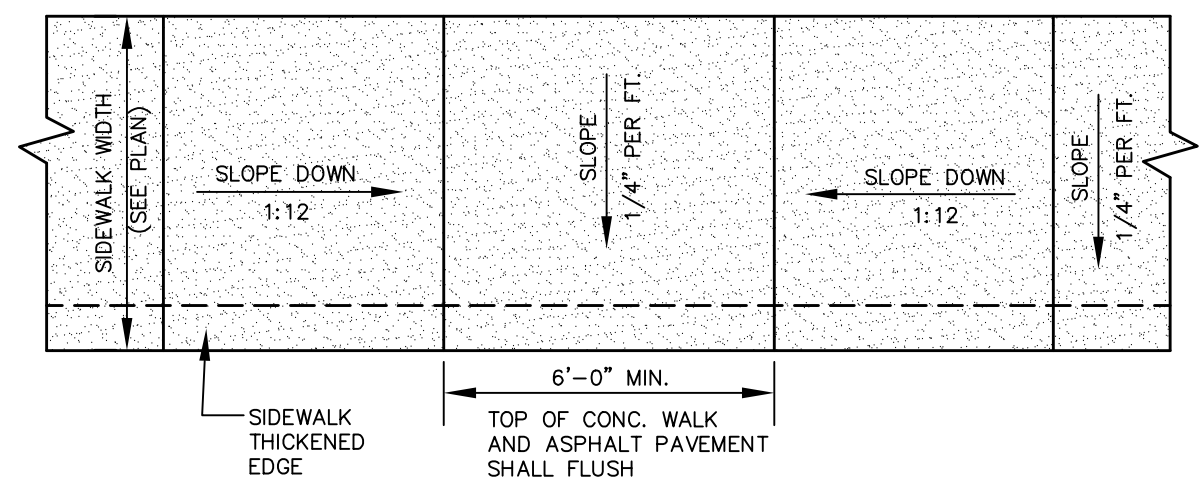
NEW HEAD START FACILITY  
FOR  
QUEEN ANN ROAD  
WETUMPKA, ALABAMA

MCKEE and ASSOCIATES  
ARCHITECTURE and INTERIOR DESIGN  
631 SOUTH HULL STREET MONTGOMERY, ALABAMA 36104 (334) 894-9933

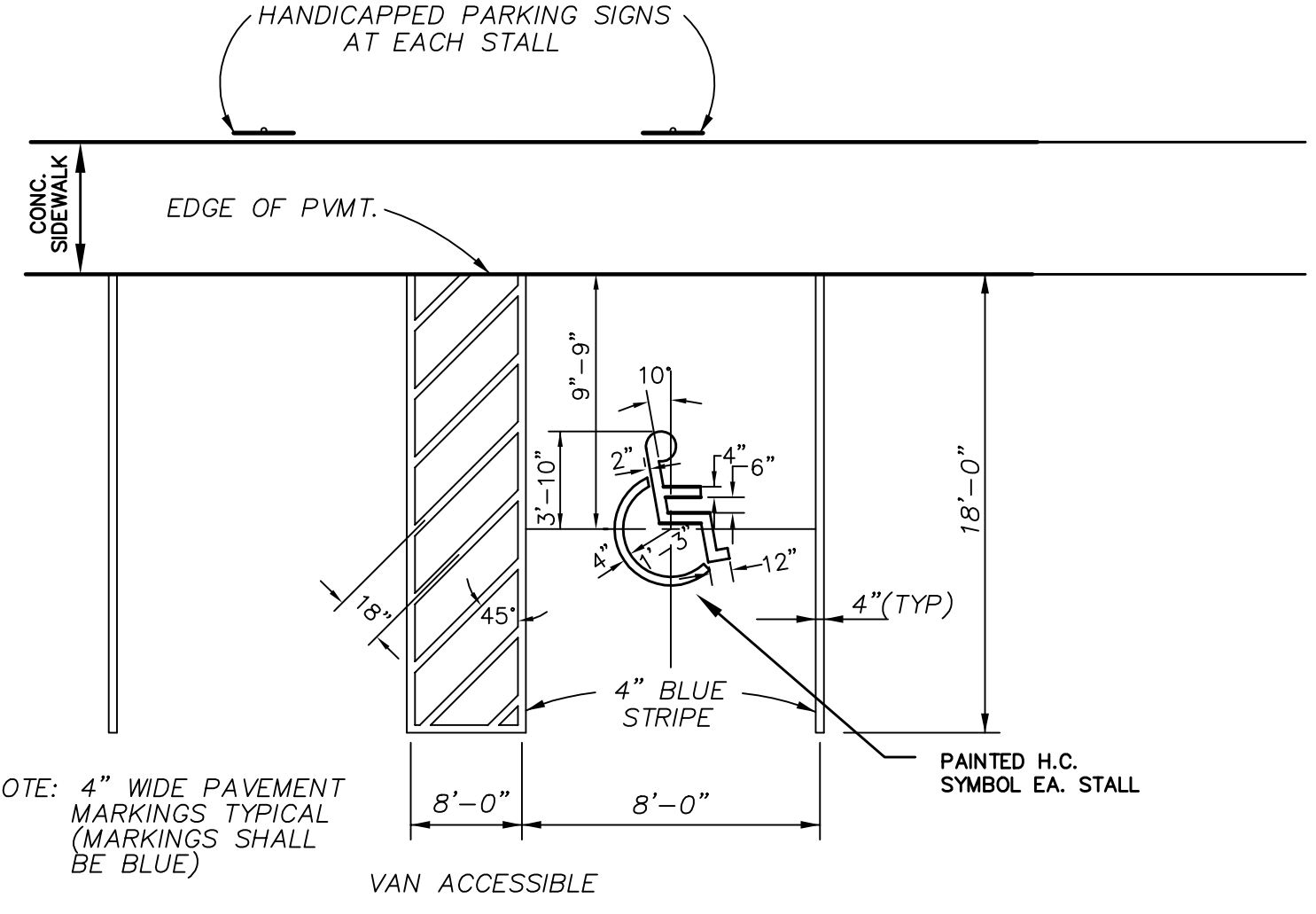


NOTE: MOUNT EACH SIGN W/ 2 - 9/16" DIA GALV. STL. BOLTS TO 3/4" (48.771) 1/2" CHANNEL. SET 1-6" MIN. BELOW FINISH GRADE & ENCASED IN 6" CONC. FILLED HOLE. SIGN SHALL BE PLACED AS NOT TO BE OBSCURED BY A VEHICLE PARKED IN THE SPACE.

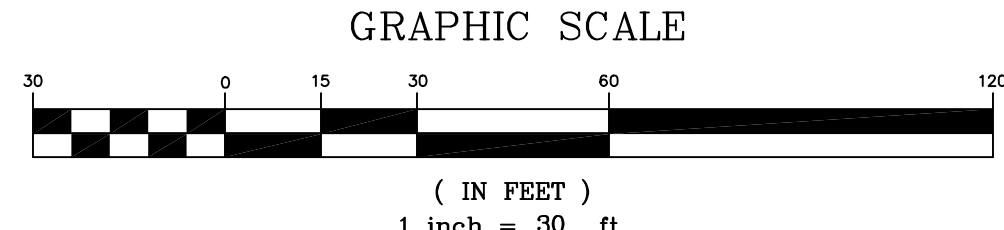
TYPICAL PAVEMENT SECTION  
N.T.S.



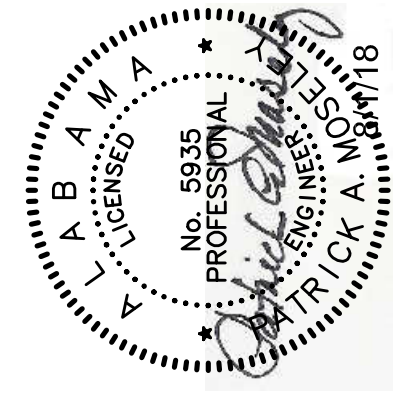
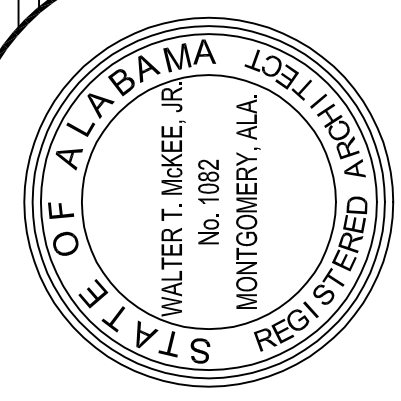
TYPICAL HANDICAP CURB RAMP DETAIL  
N.T.S.



HANDICAPPED PARKING DETAIL  
N.T.S.



PEC  
PROFESSIONAL ENGINEERING CONSULTANTS, LLC  
822 South McDonough Street  
Montgomery, Alabama 36104  
Phone: (334) 262-7307  
Fax: (334) 262-7309



SHEET TITLE : SITE PLAN  
MCKEE JOB # : 18-116A  
DRAWN BY : CD  
DATE : 8-1-18  
REVISED DATE : 8-24-18  
REVISED DATE :

SHEET NO. : C-1